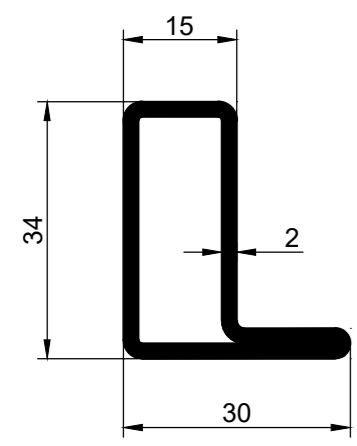
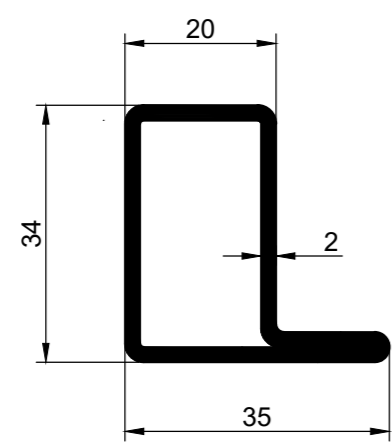


ZESTAW PROFILI SYSTEMU STD

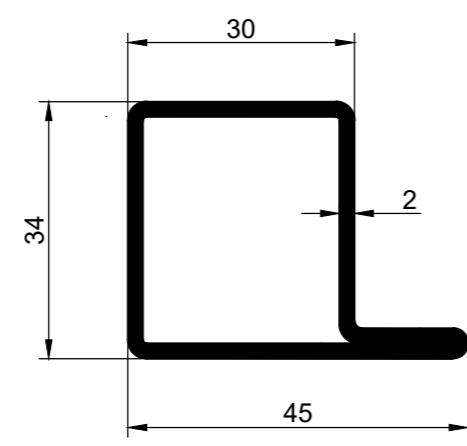
Serie 34 | Seria 34



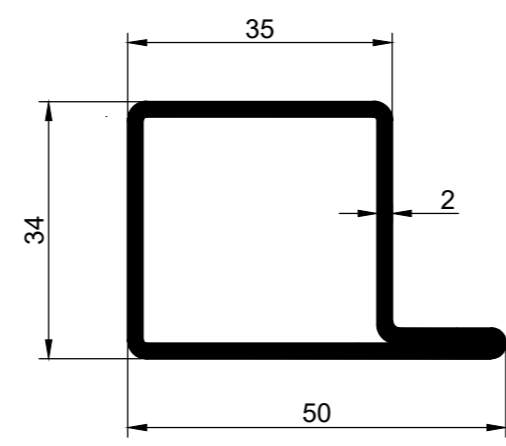
Profile P1220
2.000 kg/m



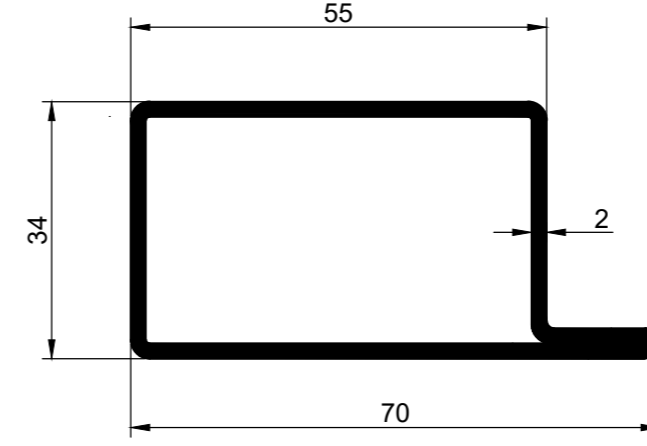
Profile P1230
1.886 kg/m



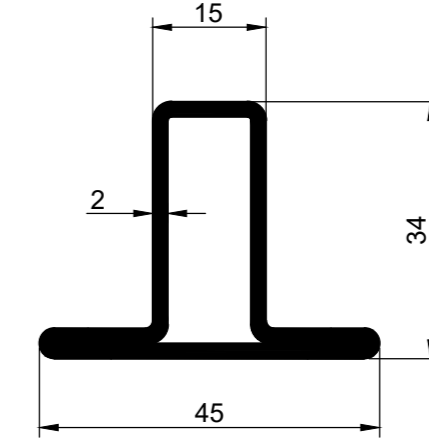
Profile P1260
2.177 kg/m



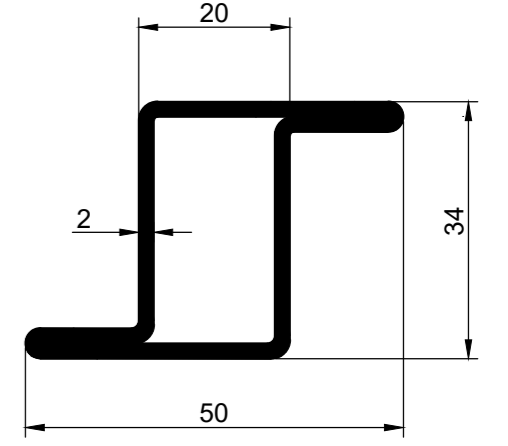
Profile P1290
2.326 kg/m



Profile P1320
2.923 kg/m

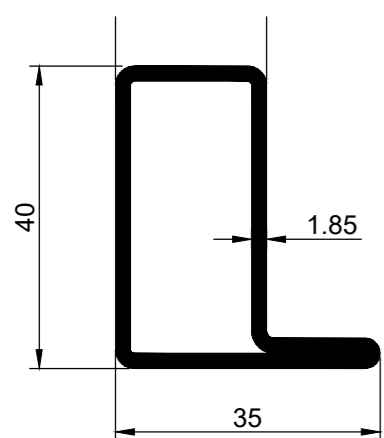


Profile P2220
2.147 kg/m

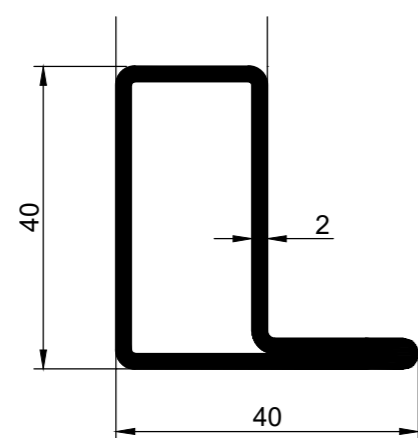


Profile P3230
2.826 kg/m

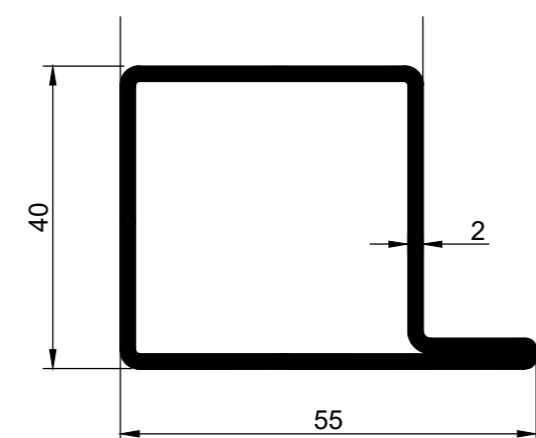
Serie 40 | Seria 40



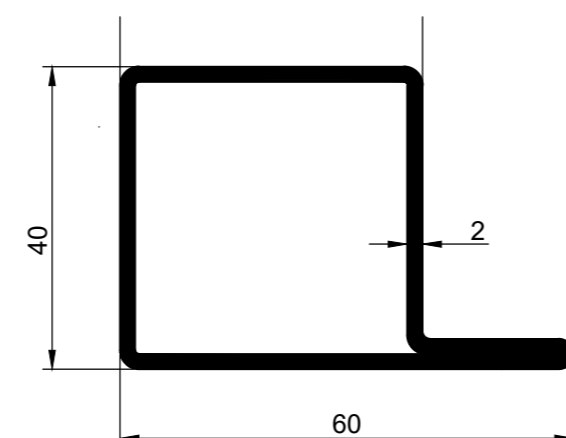
Profile P1114
2.000 kg/m



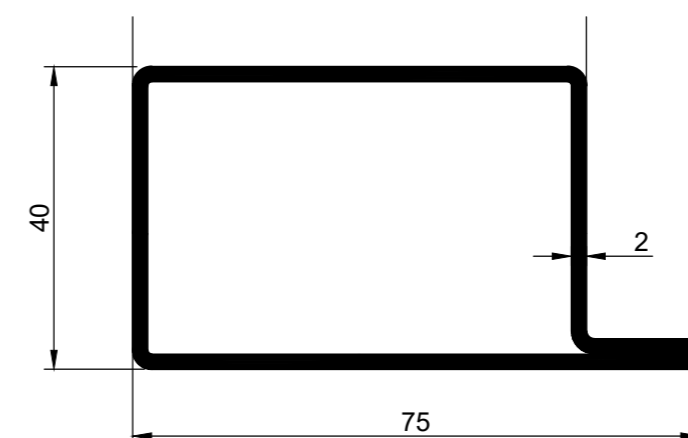
Profile P1415
2.220 kg/m



Profile P1008
2.820 kg/m



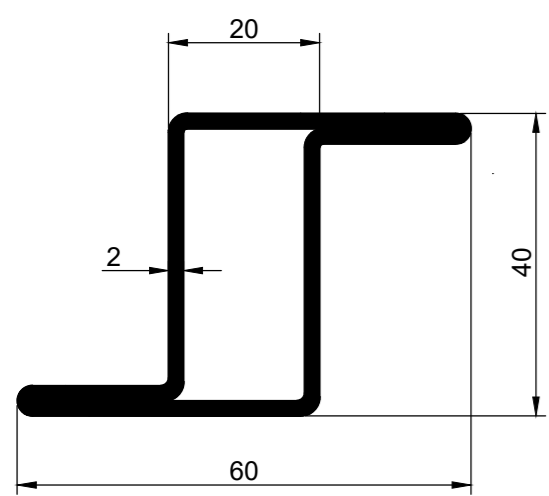
Profile P1485
2.818 kg/m



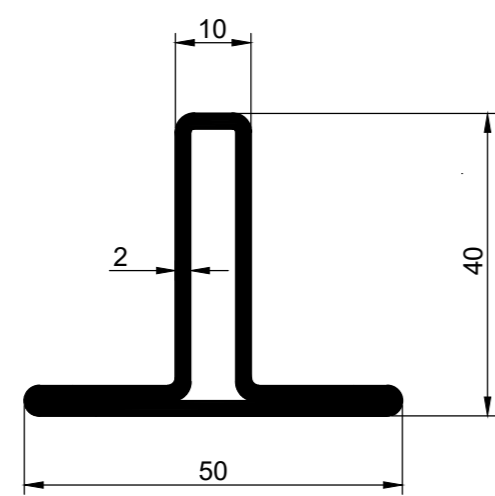
Profile P1049
3.430 kg/m



Profile P1087
3.750 kg/m

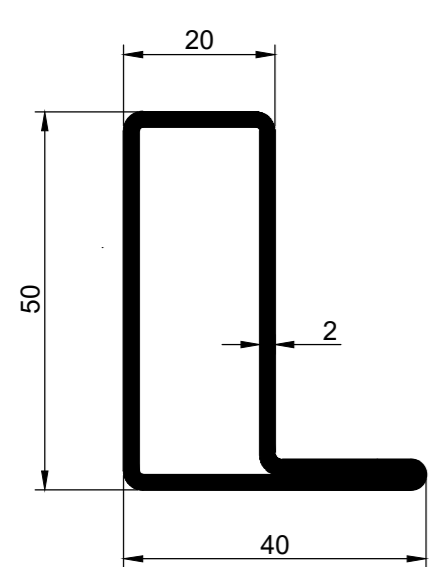


Profile P3415
2.774 kg/m

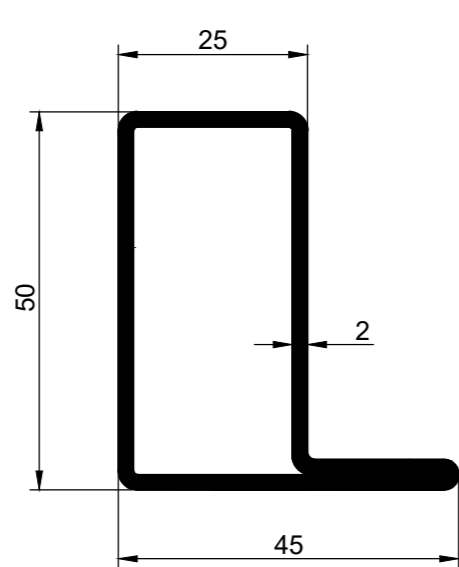


Profile P2400
2.598 kg/m

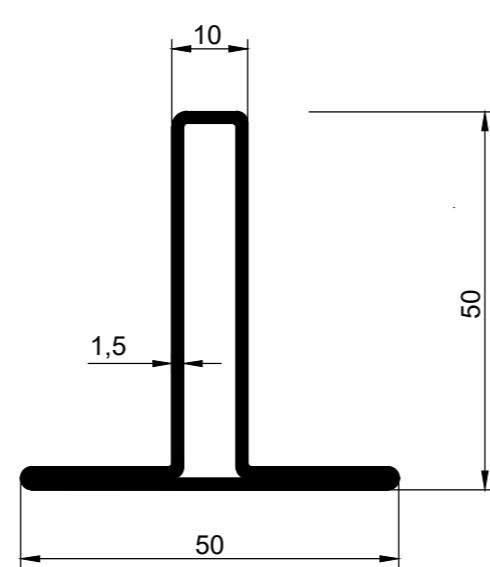
Serie 50 | Seria 50



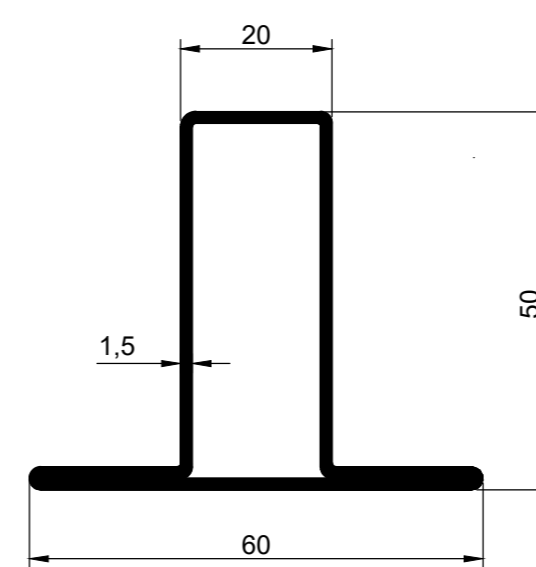
Profile P1535
2.222 kg/m



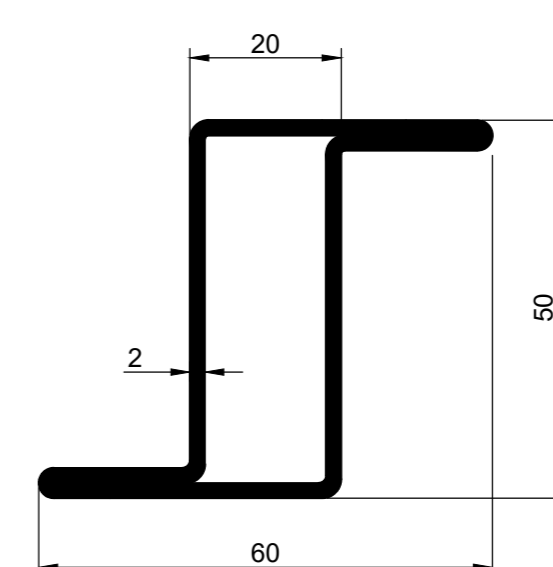
Profile P1534
2.130 kg/m



Profile P2531
2.231 kg/m

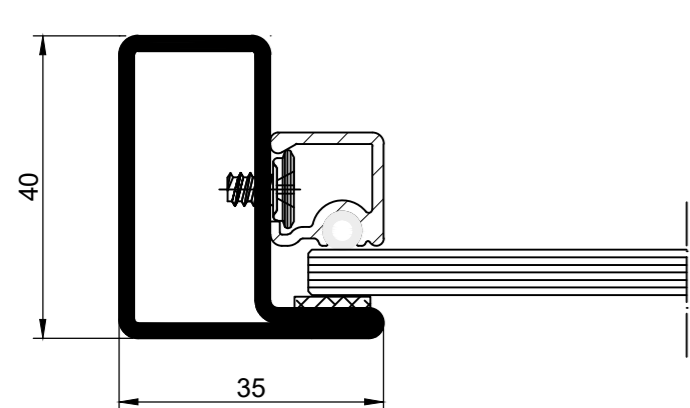


Profile P2535
3.090 kg/m



Profile P3535
3.087 kg/m

Przekrój | zestaw elementów



Profile A9864
1m=0,2 kg
Material: aluminium

U10x1,5
Self adhesive tape
Taśma samoprzylepna

Uszczelka
U7153
Material: TPE

Wkręt
W906580
Material: TPE