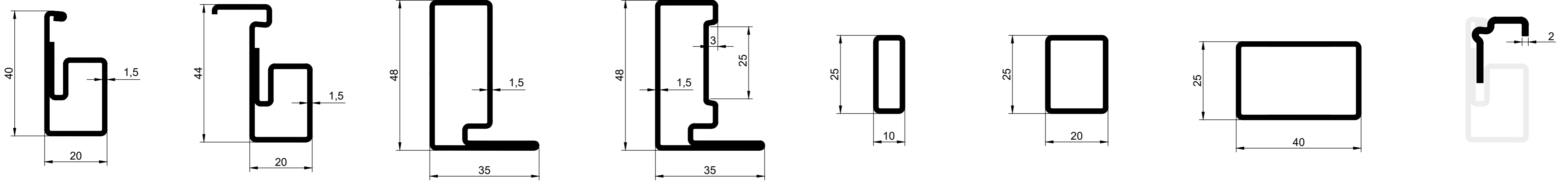


# SYSTEM 20

## ZESTAW PROFILI SYSTEMU 20



Profile P223418  
1m=1,56 kg  
Material: steel | Materiał: stal

Profile P227714  
1m=1,77 kg  
Material: steel | Materiał: stal

Profile P224295  
1m=2,03 kg  
Material: steel | Materiał: stal

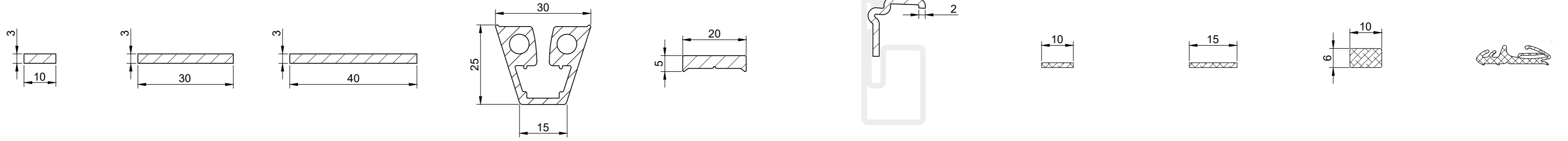
Profile P263909  
1m=2,06 kg  
Material: steel | Materiał: stal

Profile P10x25x1,5  
1m=0,76 kg  
Material: steel | Materiał: stal

Profile P20x25x1,5  
1m=1,00 kg  
Material: steel | Materiał: stal

Profile P40x25x1,5  
1m=1,46 kg  
Material: steel | Materiał: stal

Profile P223419  
1m=0,58 kg  
Material: steel | Materiał: stal



Profile A10x3  
Material: aluminium

Profile A30x3  
Material: aluminium

Profile A40x3  
Material: aluminium

Profile A39227  
1m=0,76 kg  
Material: aluminium

Profile A56630  
1m=0,23 kg  
Material: aluminium

Profile A10714  
1m=0,18 kg  
Material: aluminium

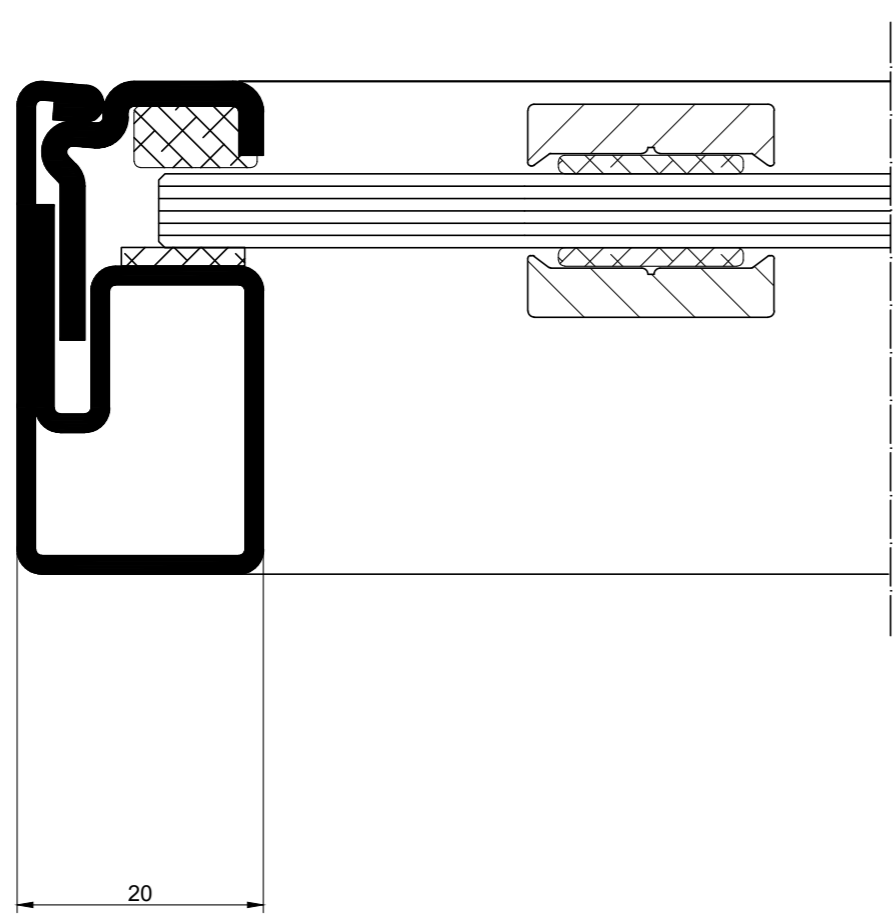
U10x1,5  
Self adhesive tape  
Taśma samoprzylepna

U15x1,5  
Self adhesive tape  
Taśma samoprzylepna

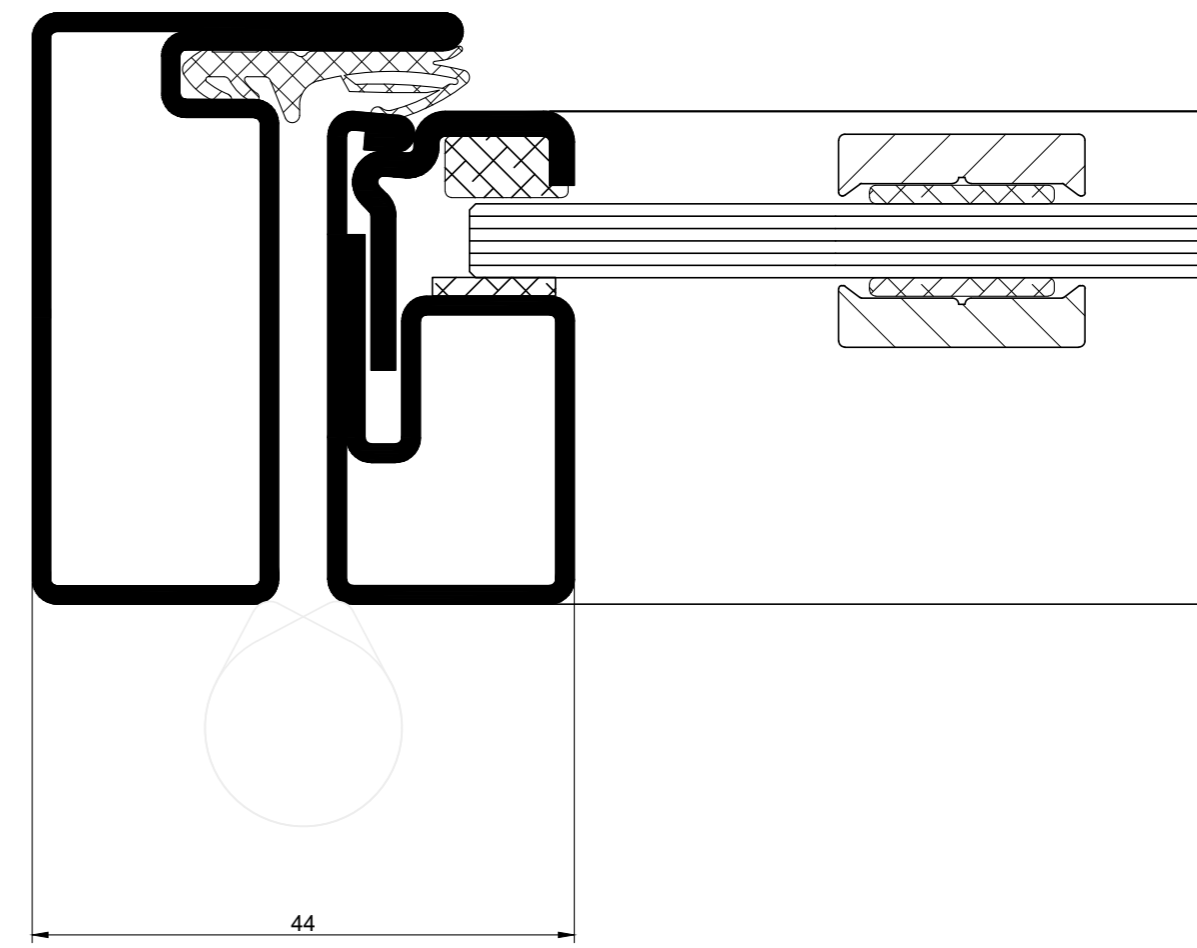
U53 (10x6)  
Material: EPDM

985301  
Material: EPDM

## ZESTAW PROFILI SYSTEMU 20

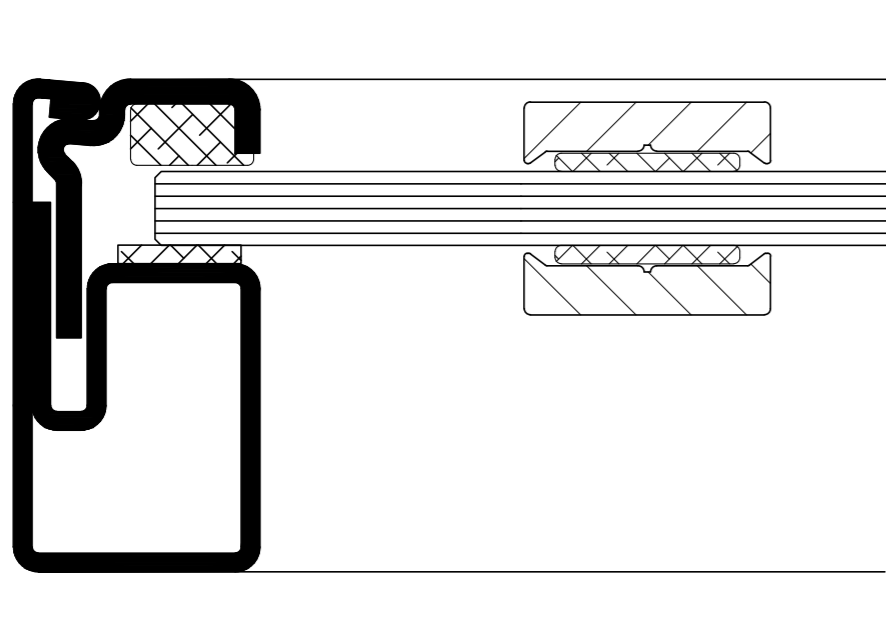


Fix section

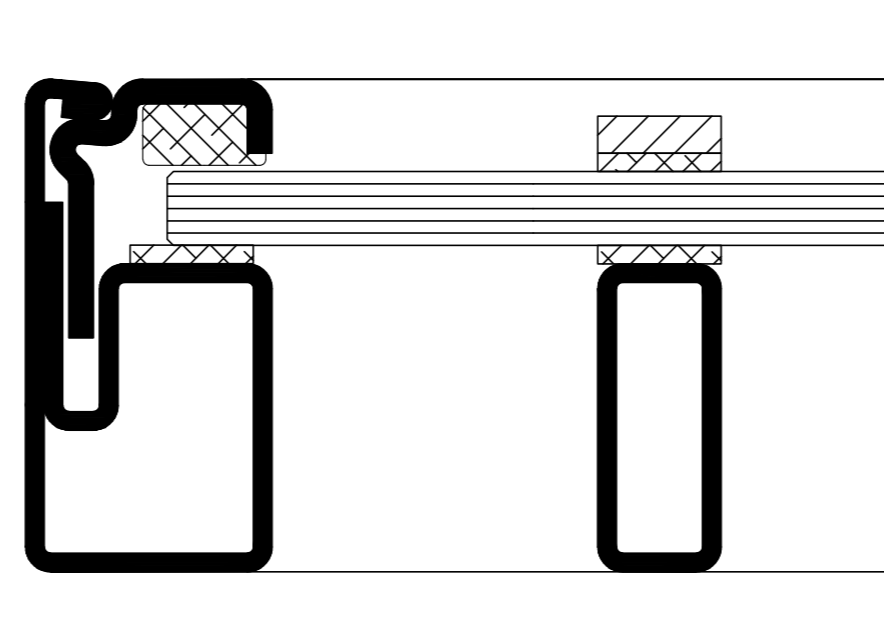


System 25/40

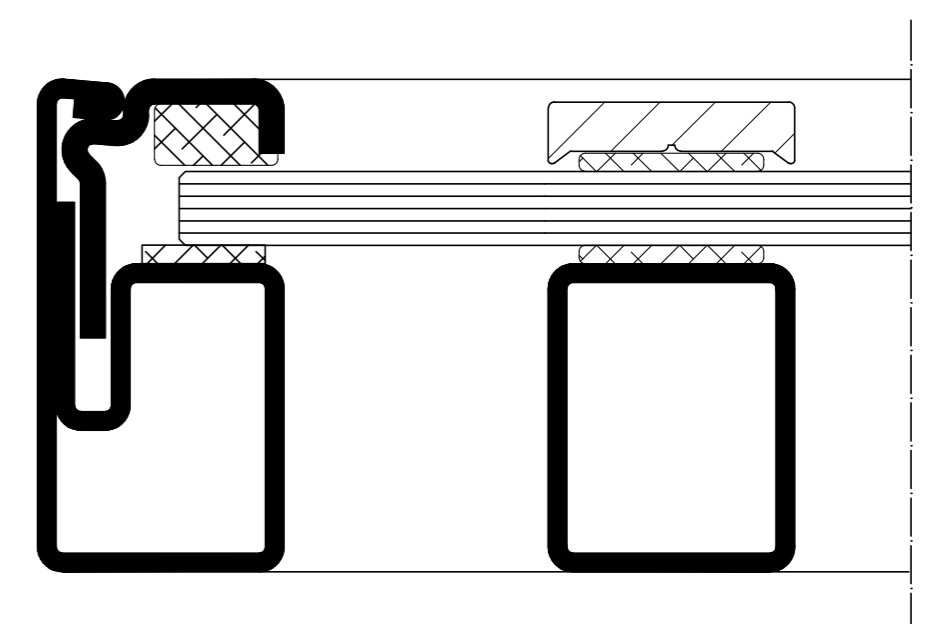
## ZESTAW PROFILI SYSTEMU 20



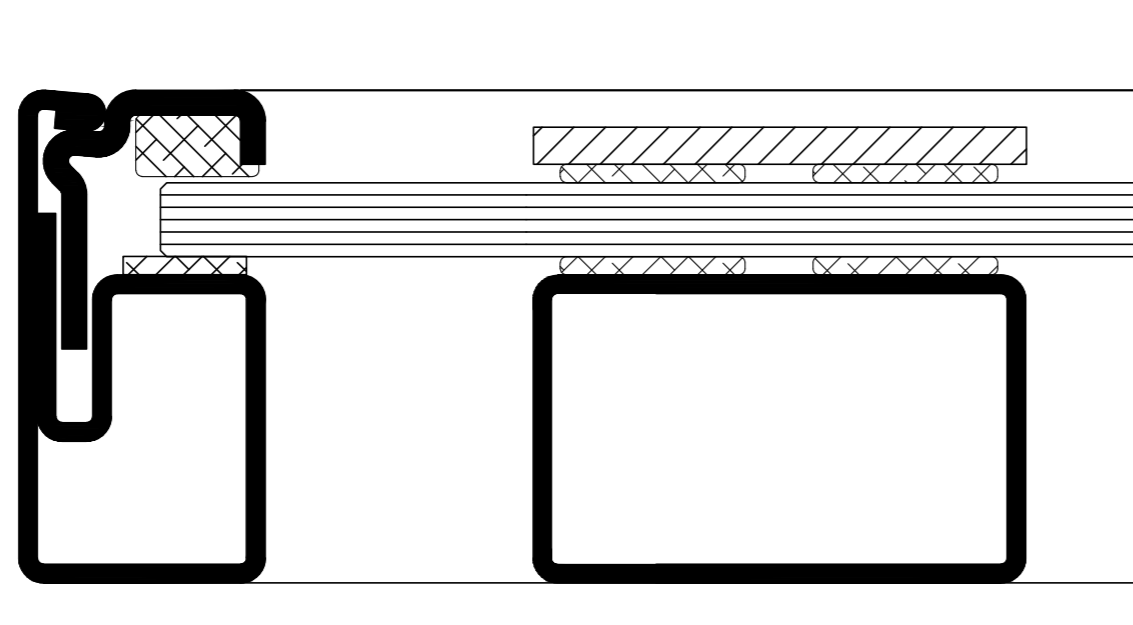
Aluminium 20 [mm]



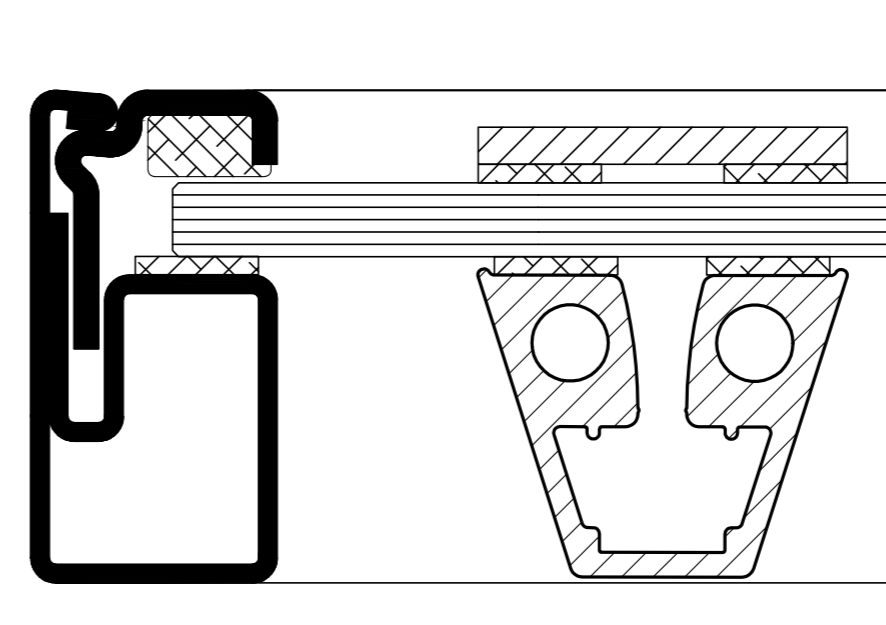
Aluminium + steel 10 [mm]



Aluminium + steel 20 [mm]



Aluminium + steel 40 [mm]



Aluminium 30 [mm]