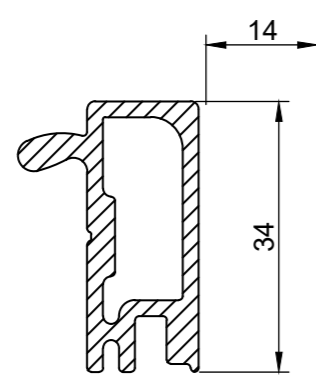
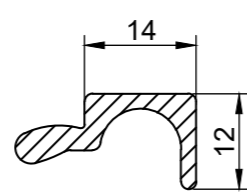


Profile P18144
1m=0,45 kg
Material: steel | Material: stal



Profile A39553
1m=0,68 kg
Material: aluminium



Profile A53390
1m=0,25 kg
Material: aluminium



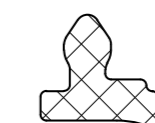
Zaczep | Uszczelka
1462
Material: EPDM



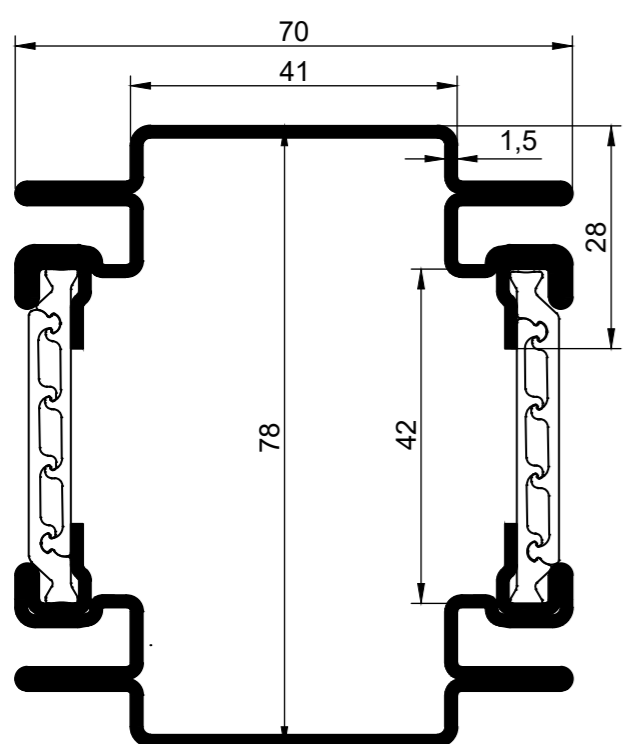
Uszczelka
985301
Material: EPDM



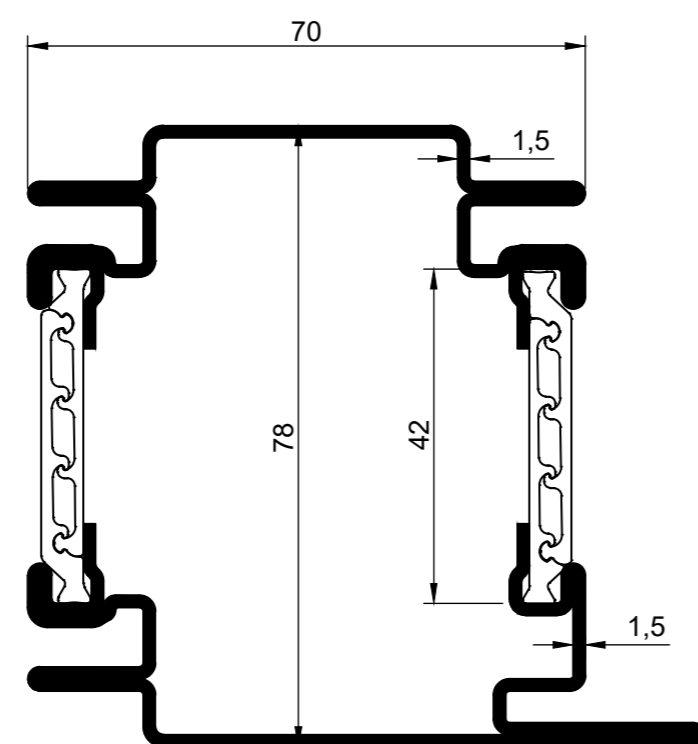
Uszczelka samoprzylepna
U6256
Material: TPE



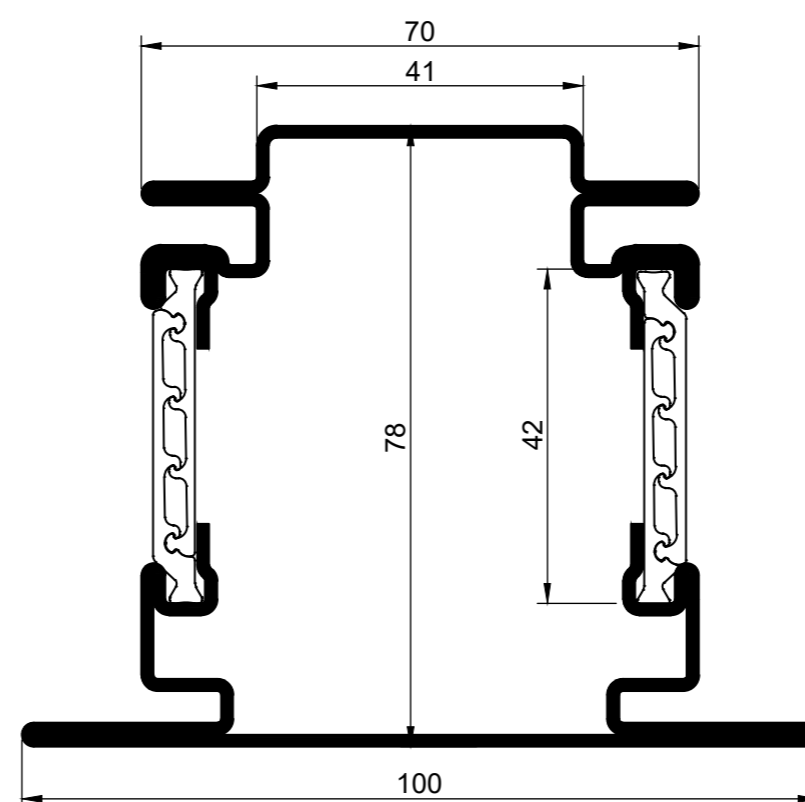
Zaczep | Uszczelka
U1655
Material: TPE



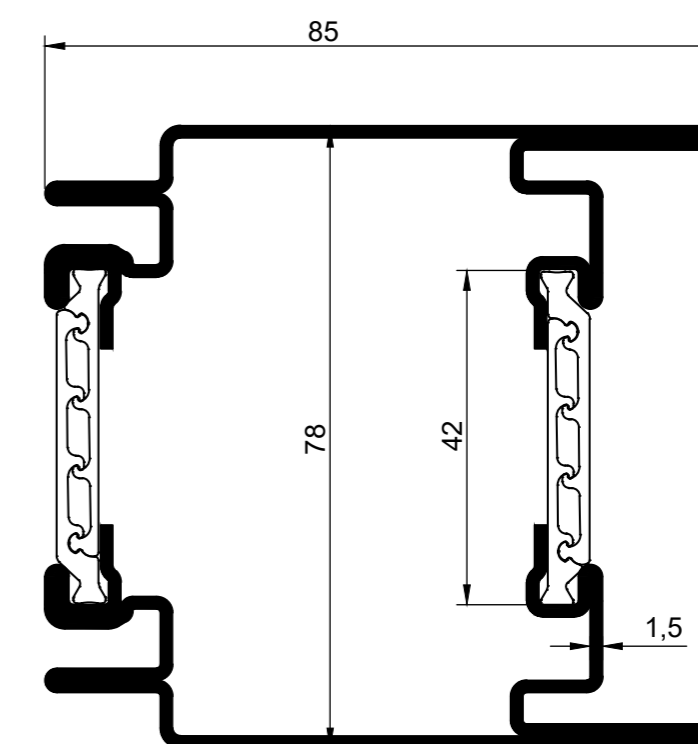
Profile P207304
1m=4,960 kg
Material: steel | stal



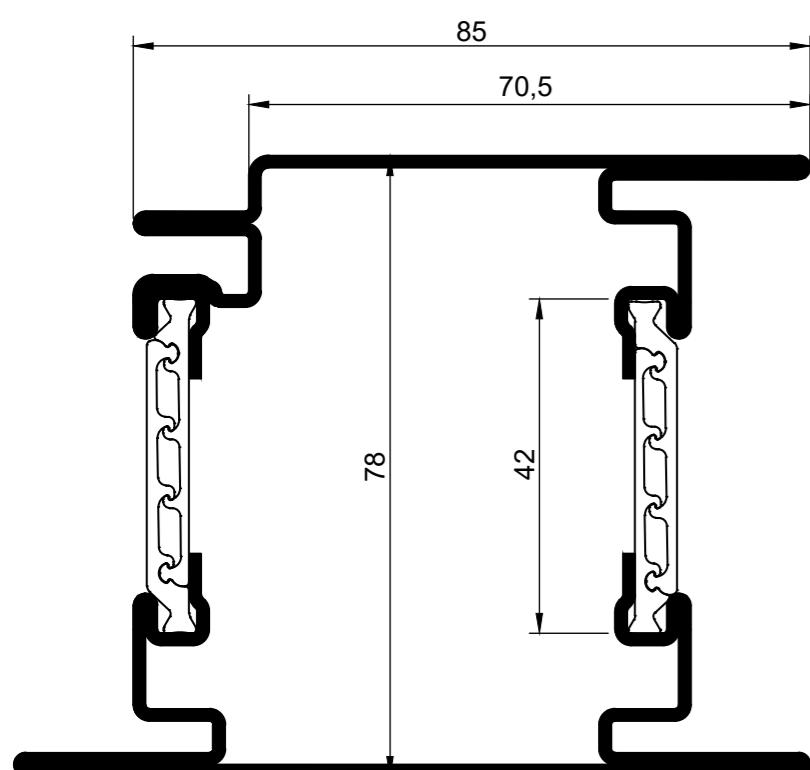
Profile P211088
1m=4,980 kg
Material: steel | stal



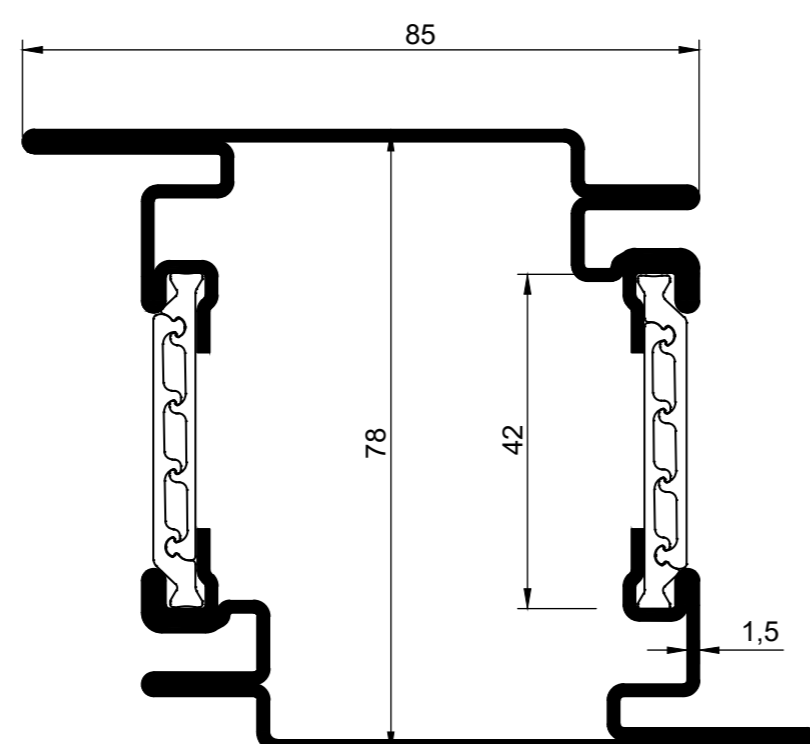
Profile P207305
1m=5,000 kg
Material: steel | stal



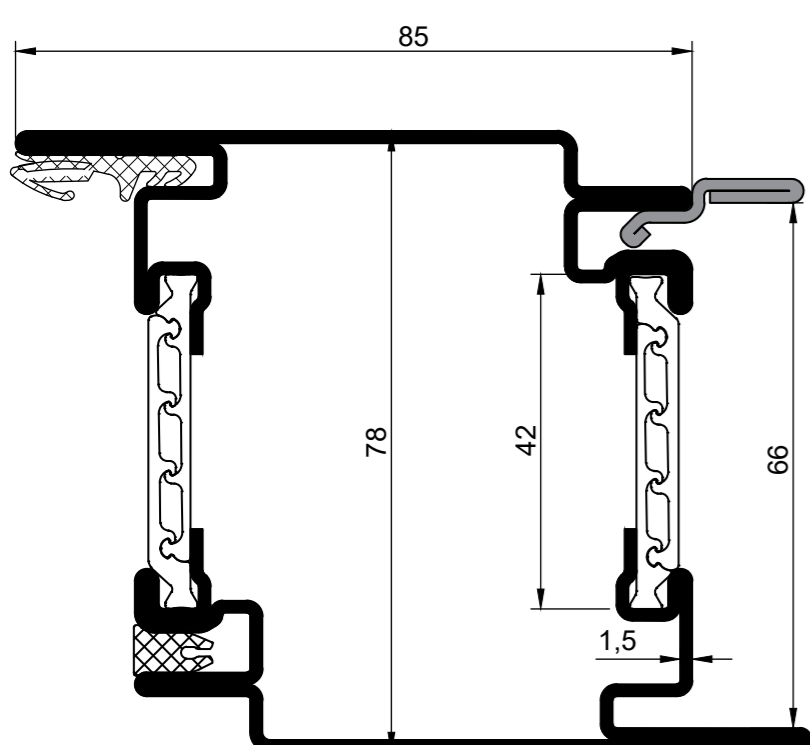
Profile P211089
1m=5,000 kg
Material: steel | stal



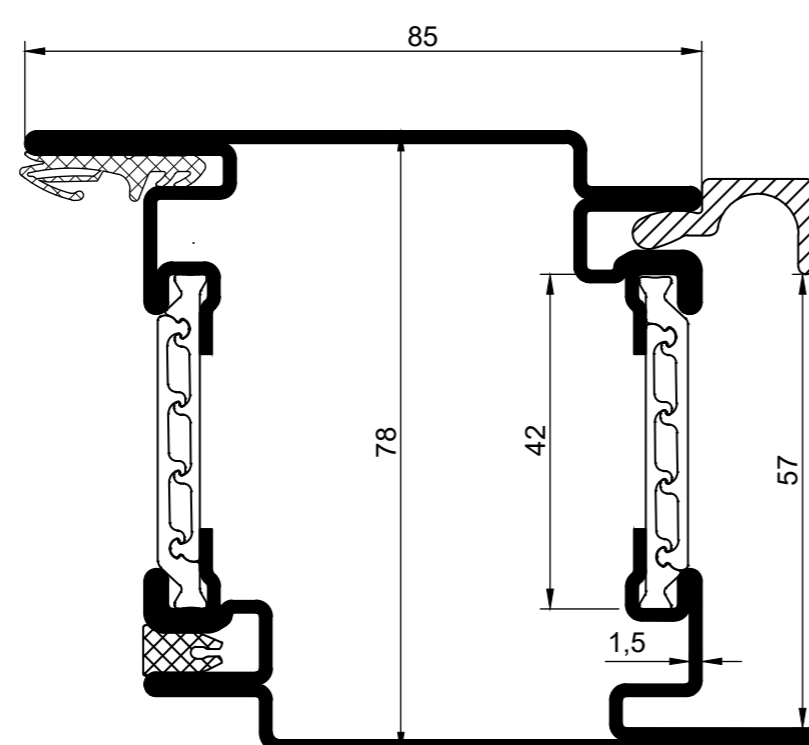
Profile P207306
1m=5,020 kg
Material: steel



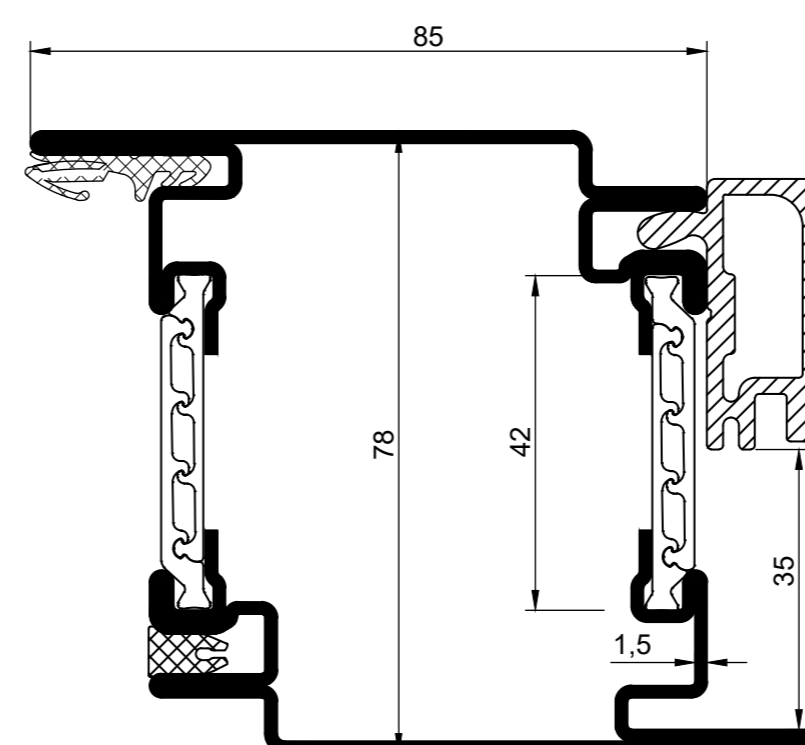
Profile P211090
1m=5,000 kg
Material: steel



Profile P211090 | Profile P18144
1m=5,000 kg
Material: steel



Profile P211088 | Profile A53390
1m=5,000 kg
Material: steel



Profile P211088 | Profile A39553
1m=5,000 kg
Material: steel